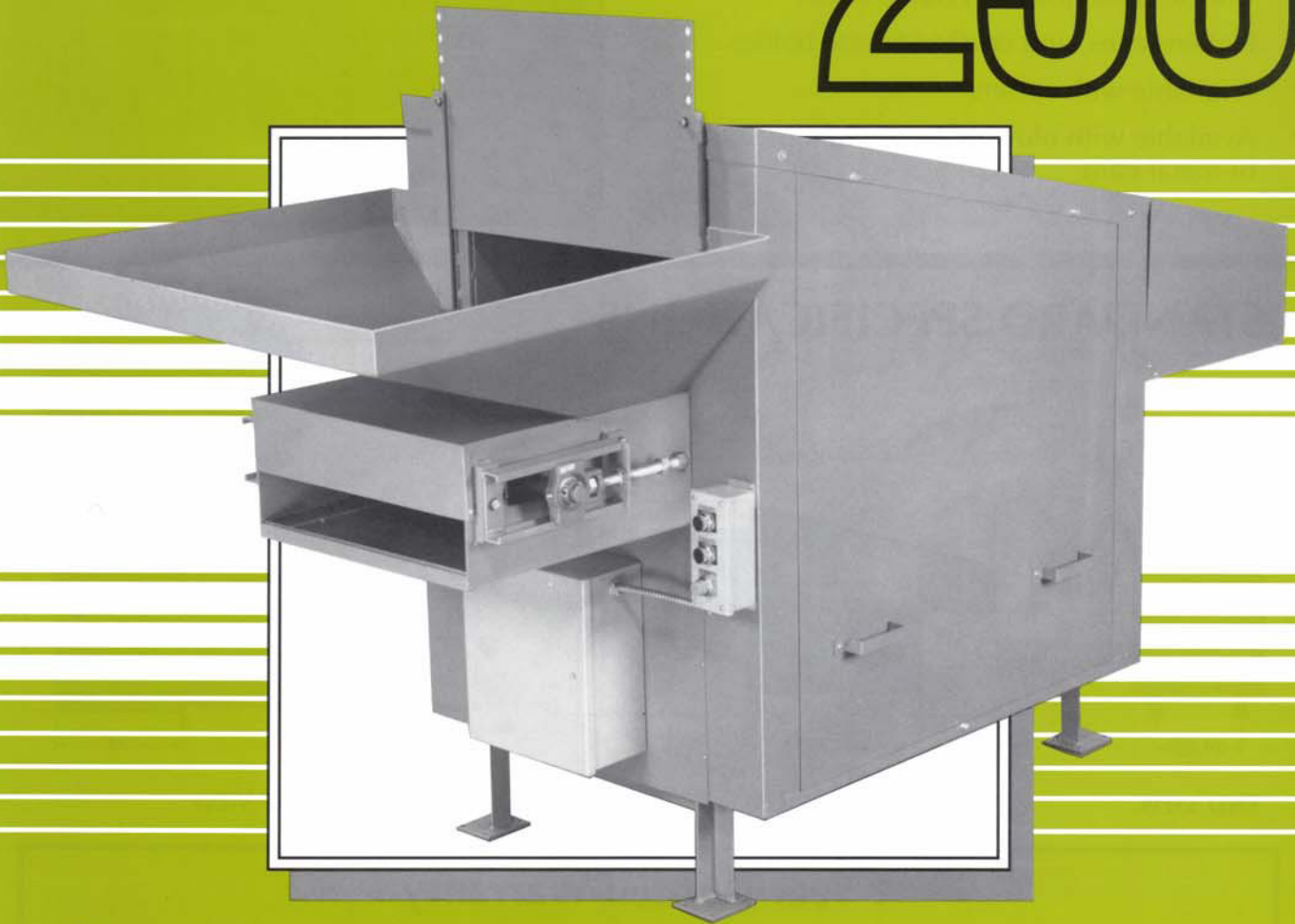


CAN & GLASS CRUSHER

MODEL

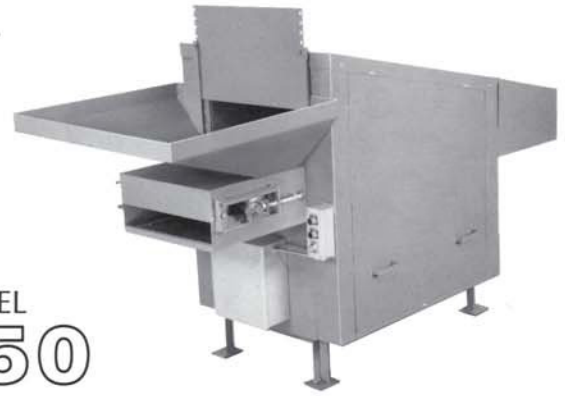
250



- ▶ Rated capacities of Model 250:
 - 2000 lbs. of Aluminum cans per hour
 - 4000 lbs. of Steel cans per hour
 - 4 ton of Glass per hour
- ▶ Safety engineered throughout
- ▶ Factory direct parts and service.
- ▶ Overload compression springs to prevent jamming.
- ▶ Model 250 will crush cans and glass up to and including 5 gallon.

A proven performer in our line for over 34 years. Unit is ideal for can manufacturers, recycling centers, bottlers and breweries. In fact anywhere glass containers, beverage cans or food containers are a problem. Model 250 is user friendly; easy to maintain and requires no change in machine set-up to crush cans or glass. Built for hard use and trouble-free operation with minimal maintenance or up-keep. Backed by proven experience in manufacturing quality size-reduction equipment.

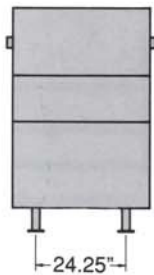
Crusher MODEL 250



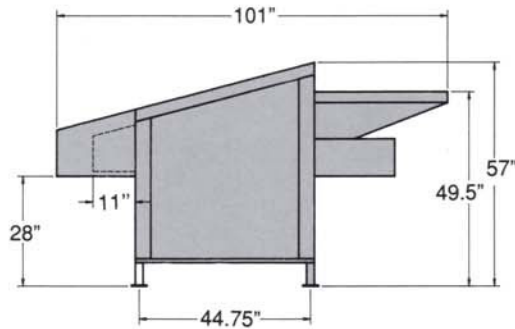
MODEL
250

- ▶ Constructed of 1/4" steel plate
- ▶ 5 HP 230/460/60/3
- ▶ Infeed and discharge conveyors are available
- ▶ All moving parts enclosed
- ▶ Removable side panels for maintenance
- ▶ Crushes glass into recyclable cullet
- ▶ Flattens cans, and crushes plastic bottles
- ▶ Available with casters
- ▶ Available with blowers for aluminum and bi-metal cans

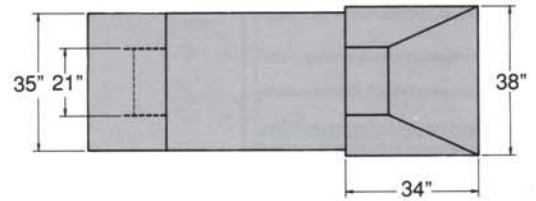
▶ STANDARD SPECIFICATIONS



END VIEW



SIDE VIEW



TOP VIEW